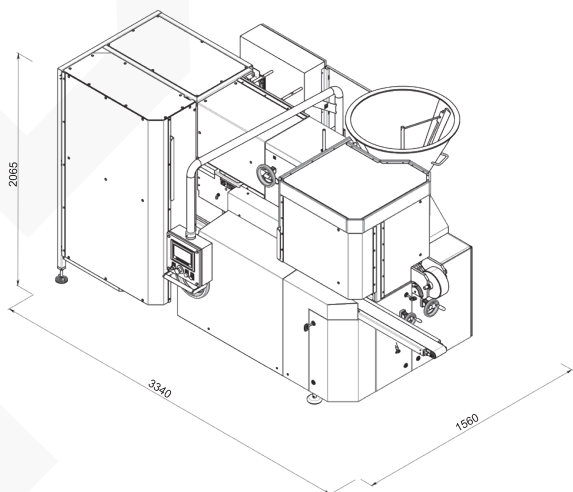


# ARU

## Processed Cheese Filling and wrapping Machine





Processed cheese filling and wrapping machine is ARU an automatic packaging machine for foiling of processed and cream cheese with aluminum foil with or without easy opening system and labeling.

#### ARU main features

- Possibility to shift between portion weight by changing the height of brick.
- Shapes of package: rectangular, square.
- Heat-sealed package from coated aluminum foil.
- Tear strip material: OPP/OPP packaging tape to be heatsealed with aluminum foil.
- The compact design, productivity, sustainability and easy technical maintenance are exclusive features of this machine.
- Foil cuts collecting system.
- Machine safety covers.
- Foil centering device with photocell (optional).

## TECHNICAL DATA

Machine type	rotary type, continuous operation
Applicable products	processed cheese, cream cheese
Max capacity, packs/min	up to 50
Dose mass, g	15-100 (one size)
Viscosity, CSt	3 000-10 000
Product density g/cm <sup>3</sup>	1,05 *otherwise specified by customer
Product input temperature, °C	+65...+75
Feeding	double jacket (heating) 85l hopper with agitator
Dosing type	volumetric
Packaging material	coated aluminum foil
Inner reel (core) diameter, mm	70 or 75
Outer reel diameter, mm	up to 200
Material thickness, mm	0,012 - 0,014
Labelling device	1 side label, 3 sided label, without label
Control	PLC and HMI with Touch Screen
Accuracy, %	2
Productivity regulation	incrementally
Washing mode	manual
Compressed air supply, MPa (bar)	0,6 (6)
Compressed air consumption, m <sup>3</sup> /min	0,25
Rated power input, kVA	11,16 *with tear strip applicator
Voltage, V	230/400 ±10%
Frequency, Hz	50/60
Electricity supply	3 phase
Approx. machine size (L x W x H), mm	2690 x 1560 x 2065 *without tear strip applicator 3340 x 1560 x 2065 *with tear strip applicator
Approx. machine weight, kg	1660

## TEAR STRIP APPLICATOR TECHNICAL DATA

Machine type	horizontal
Tear strip material	tear tape heat sealable with aluminum foil
Thickness of tear tape, mm	0,043 (43)
Approx. weight, kg	200
Outer reel diameter, mm	up to 180